

# Data Sheet

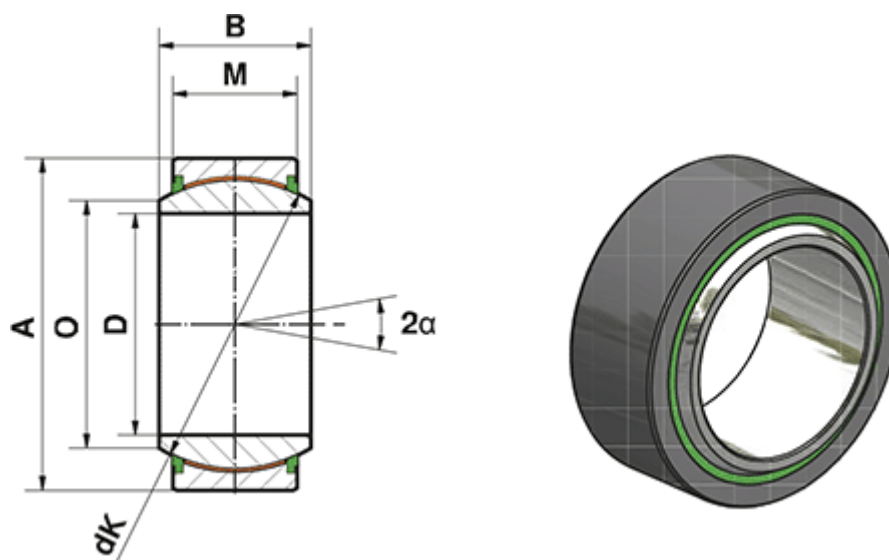


Article number: 03445030

Description: Fluro Heavy Duty Spherical Plain Bearing GE 30 EW-2RS  
Hole Ø30

Note: 30

## Measures



A	= 47	Static load C0 (kN) = 275
a (degrees)	= 6	Weight (g) = 140
B	= 22	
D	= 30	
dk	= 40.7	
Dynamic load C (kN)	= 165	
M	= 18	
O	= 34.2	